

AN系列水族灯

触控

使用说明书



安全使用注意事项

感谢您使用Keloray-AN系列水族灯具，为保证使用安全，避免对您或者他人造成伤害和财产损失，在使用灯具前，请仔细阅读本使用说明书，并请务必遵守以下安全注意事项。

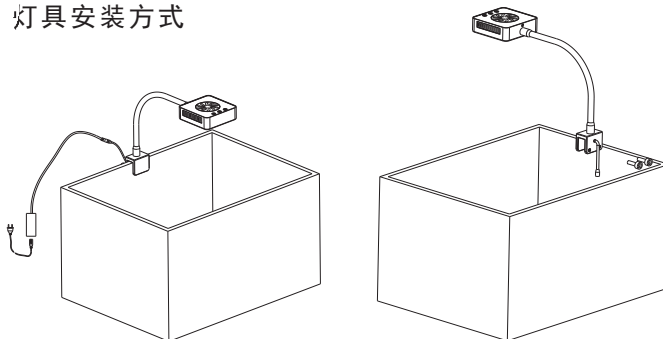
- ① 安装使用灯具时，请移除外包装袋。
- ② 安装前务必切断电源，确保电源线不被踩踏，挤压或阻挡，手湿切勿触碰插头。
- ③ 禁止破坏电源线插头插片，如插头与您的插座不匹配，请更换适合插座。
- ④ 务必请专业人士安装，安装时需将灯具安装稳固，严禁私自拆机。
- ⑤ 本灯具只能安装于室内，切勿暴露于雨淋、潮湿、滴水环境。
- ⑥ 开灯后，请不要直视光源或者将皮肤至于灯光底下，以免灼伤眼睛和皮肤。
- ⑦ 如若电源损坏，非专业人士不得擅自更换。
- ⑧ 本灯具的安装应远离热源、磁场等环境，严禁其它物体覆盖灯具。
- ⑨ 请勿将本产品使用于水族以外的领域。
- ⑩ 与本产品有关的任何问题，请直接联系我们。www.kelolight.com

产品规格

产品型号	AN30S	AN15S
灯体尺寸	L380*W82*H25mm	L380*W82*H25mm
包装尺寸	L425*W160*H40mm	L425*W160*H40mm
灯体净重	0.5kg	0.4kg
毛重(灯体+配件)	0.8kg	0.6kg
灯具输入电压	DC-24V	DC-24V
额定功率	30W	15W

注：本产品由灯体和安装配件组成，电源适配器为赠品，用户也可自行另外单独购买。

灯具安装方式



AN系列触控按键操作说明

提示：在使用触摸按键前，请确保触摸按键区域和您的手指干燥清洁，潮湿或者有灰尘覆盖触摸按钮会导致触摸不灵敏。

开关/定时功能按键

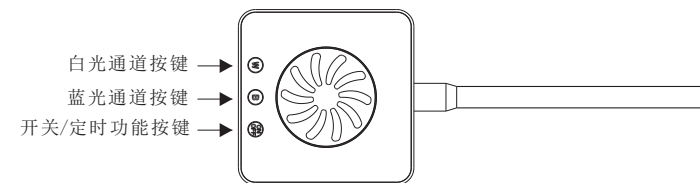
1. 轻触1次：光源闪烁1次，灯具将于3小时后自动关闭。
2. 轻触2次：光源闪烁2次，灯具将于9小时后自动关闭。
3. 轻触3次：光源闪烁3次，灯具将于12小时后自动关闭。
4. 轻触3秒以上：定时功能取消，灯具开启/关闭。

▲ 若长按开关键，灯具仍未开启，请先确认W和B通道已开启。

白光/蓝光通道按键

W为白光通道，B为蓝光通道。轻触W键和B键调光，亮度等级为5级循环，依次为：1-2-3-4-5-0。

▲ 若轻触W/B键，通道未响应，请轻触开关键3秒以上，确认灯具开启后再进行调光操作。



保养与维护

为了使您的灯具保持良好的散热和性能，延长灯具的使用寿命。请认真阅读以下内容并养成定期保养和维护的习惯。

1. 使用灯具的过程中请注意防潮防水防尘。
2. 定期每月清理风扇进、出风口的灰尘和盐渍。
3. 定期每月检查电源是否受潮，电源插座是否插紧。
4. 定期每月用干抹布清洁LED光源表面的透光玻璃。
5. 定期每月清洁支架上的盐渍以防腐蝕。

温度保护

当灯具风扇进出风口有杂物覆盖或灰尘堵塞等情况都会造成灯具高温保护。控制系统会强行关闭灯具进入保护状态，此时灯具风扇正常工作，(AN15无风扇)，控制系统锁定，灯具不受控制。当温度降低至40度时，控制系统自动解锁使灯具恢复之前运行状态。

产品保修卡	
产品型号：	_____
产品编码：	_____
客户名称：	_____
客户地址：	_____
销售日期：	_____

感谢使用本公司产品
如有任何疑问或者建议请发送邮件至：
Info@keloled.com
深圳钜彩照明科技有限公司
www.kelolight.com
地址：深圳市宝安区福海街道
和秀西路57号久阳工业园7栋
电话：0755-85255646

AN Series LED AQUARIUM LIGHTING

User Manual



EN

USER MANUAL

Thank you for using Keloray AN series light, to ensure the safety of use, avoid any damage and loss of your property, please read this user manual carefully before operation, and please observe the following safety precautions.

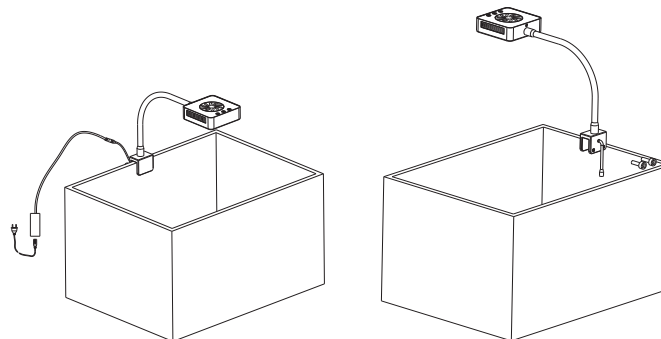
- ① Please take the light out of the box before installing and using.
- ② Be sure to cut off the power when installation, make sure the power cord is not trampled, squeezed or blocked. Do not touch the plug with wet hand.
- ③ Do not break the plug, if the plug does not match your socket, please replace the plug or socket.
- ④ Do not disassemble the light, it must be repaired by specialists.
- ⑤ The light can only be installed indoors, do not expose to rain, damp or dripping water.
- ⑥ When you turn on the light, please don't look directly at the light and don't expose your skin under the light.
- ⑦ If the power is failure, please contact a specialist.
- ⑧ The installation of light should be away from the heat sources, magnetic fields. Do not put anything on the light.
- ⑨ The light is only designed for aquarium, not toy for children.

SPECIFICATIONS

Item NO.	AN 30S	AN 15S
Product Size	L380*W82*H25mm	L380*W82*H25mm
Package Size	L425*W160*H40mm	L425*W160*H40mm
Net Weight	0.5kg	0.4kg
Gross Weight	0.8kg	0.6kg
Lamp input voltage	DC-24V	DC-24V
Rated Power	30W	15W

Note: This product is composed of lamp body and installation accessories. Power adapter is a gift, and users can also buy it separately.

INSTALLATION



NAVIGATION

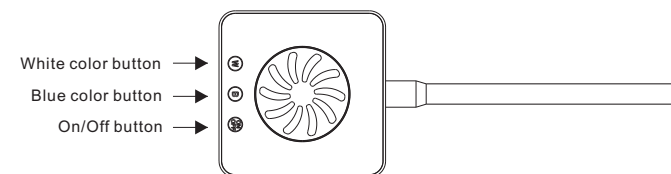
- ▲ Please keep the light buttons clean and dry, also make sure your hands are dry before touching the light, or the touch buttons will fail.

On/Off Button

1. Touch the On/Off button for some seconds to turn on/off the light. When the light on, it should be bright at once. If not, please touch (W) or (B) button to ensure that both channels are turned on.
2. The On/Off button has Timing Function:
 - ① touch the on/off button once, the lighting will flash once means that the light will be off 3 hours later.
 - ② touch the on/off button twice, the lighting will flash twice means that the light will be off 9 hours later.
 - ③ touch the on/off button three times, the lighting will flash three times means that the light will be off 12 hours later.
3. When you restart the light, the timing you set before will be cancelled.

B and W Buttons

Please touch the (W) or (B) button to turn on both channels, the brightness changes when touch the buttons repeatedly. The brightness cycles are: 1-2-3-4-5-0.



MAINTENANCE

1. Please protect the light from humidity, splash and condensate.
 2. Please clean the fan inlet and outlet monthly, remove dust and any salt residues. (AN15 no fan)
 3. Please check monthly the power supply is dry and the power plug is inserted tightly.
 4. Clean the surface of light monthly with a dry cloth to remove the dust, salt residues.
 5. Remove any salt residues on the bracket monthly to prevent corrosion.
- ▲ If the fan inlet and outlet of the light AN30 are covered in dirt, then the heat protection system will turn AN30 to a protective state. When the temperature drops below 40°C, the control system automatically unlocks the light, and then it can be operated as usual.

Warranty

Product Type: _____
 Series Number: _____
 Customer Name: _____
 Customer ADD: _____
 Purchase Date: _____

Thanks for using our products.

If you have any questions or suggestions, please send mail to: info@keloled.com.
Shenzhen Kelo Light Technology Co., Ltd
www.kelolight.com

Factory: 9th floor, Longwangmiao Factory Building, Fuyong street, Baoan District, Shenzhen, CNTel: +86-755-8525646